

4

3

2

1

THIS DRAWING IS UNPUBLISHED.

RELEASED FOR PUBLICATION

,19

© COPYRIGHT 19

BY AMP INCORPORATED. ALL RIGHTS RESERVED.

LOC

DIST

REVISIONS

G

14

P

LTR

DESCRIPTION

DATE

DWN

APVD

F

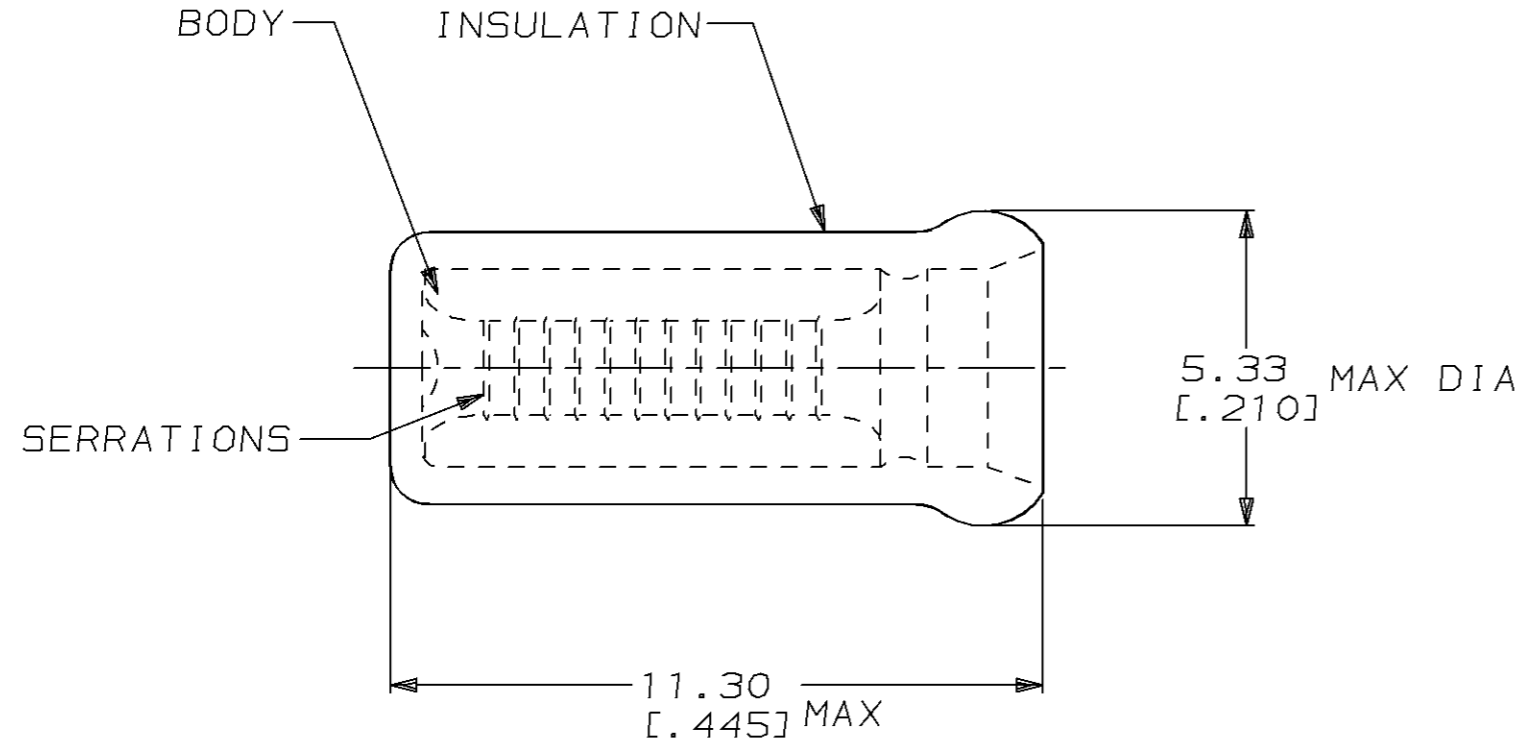
REV / 0720-0906-96

21MAR96

LO

ME

- 1. USE FOR STRIPPED (SINGLE) WIRE END ONLY
- 2. WIRE INSUL DIA, 3.15 [.124] MAX



-	100	LOOSE PIECE, BOX	8-328307-1
MS25274/2 CLASS 1 & 2	1000	LOOSE PIECE	328307
MILITARY P/N & CLASS	QTY	PACKAGE TYPE	PART NO

AMP INCORPORATED CUSTOMER SERVICE SYSTEM	
FOR ADDITIONAL PRODUCT INFORMATION OR COPIES OF DRAWINGS AND TECHNICAL DOCUMENTS	PRODUCT INFORMATION CENTER 1-800-522-6752
FOR APPLICATION TOOLING INFORMATION	TOOLING ASSISTANCE CENTER 1-800-722-1111
FOR ORDER ENTRY	1-800-526-5142

MAX RECOMMENDED OPERATING TEMPERATURE: 105°C [221°F]
VOLTAGE RATING: -
CIRCULAR MIL AREA: 0.26mm <sup>2</sup> -1.65mm <sup>2</sup> [509-3,248]

THIS DRAWING IS A CONTROLLED DOCUMENT FOR AMP INCORPORATED. IT IS SUBJECT TO CHANGE AND THE CONTROLLING ENGINEERING ORGANIZATION SHOULD BE CONTACTED FOR THE LATEST REVISION.	
DIMENSIONS: mm [in]	TOLERANCES UNLESS OTHERWISE SPECIFIED:
	0 PLC ±-
	1 PLC ±-
	2 PLC ±0.20 [.008]
	3 PLC ±-
	4 PLC ±-
	ANGLES ±-
MATERIAL BODY, CU PER ASTM B152	FINISH BODY, TIN PLATE
INSUL, NYLON, COLOR, RED	PER MIL-T-10727

DWN	21MAR96
L OLMEDA	
CHK	21MAR96
M ELLIS	
APVD	21MAR96
K FERREK	
PRODUCT SPEC	
APPLICATION SPEC	
WEIGHT	-
CUSTOMER DRAWING	

AMP Incorporated Harrisburg, PA 17105-3608		
NAME SPARE WIRE CAP, WIRE SIZE, 22-18 AWG		
SIZE	CAGE CODE	DRAWING NO
A3	00779	C=328307
SCALE	SHEET	REV
8:1	1 OF 1	F